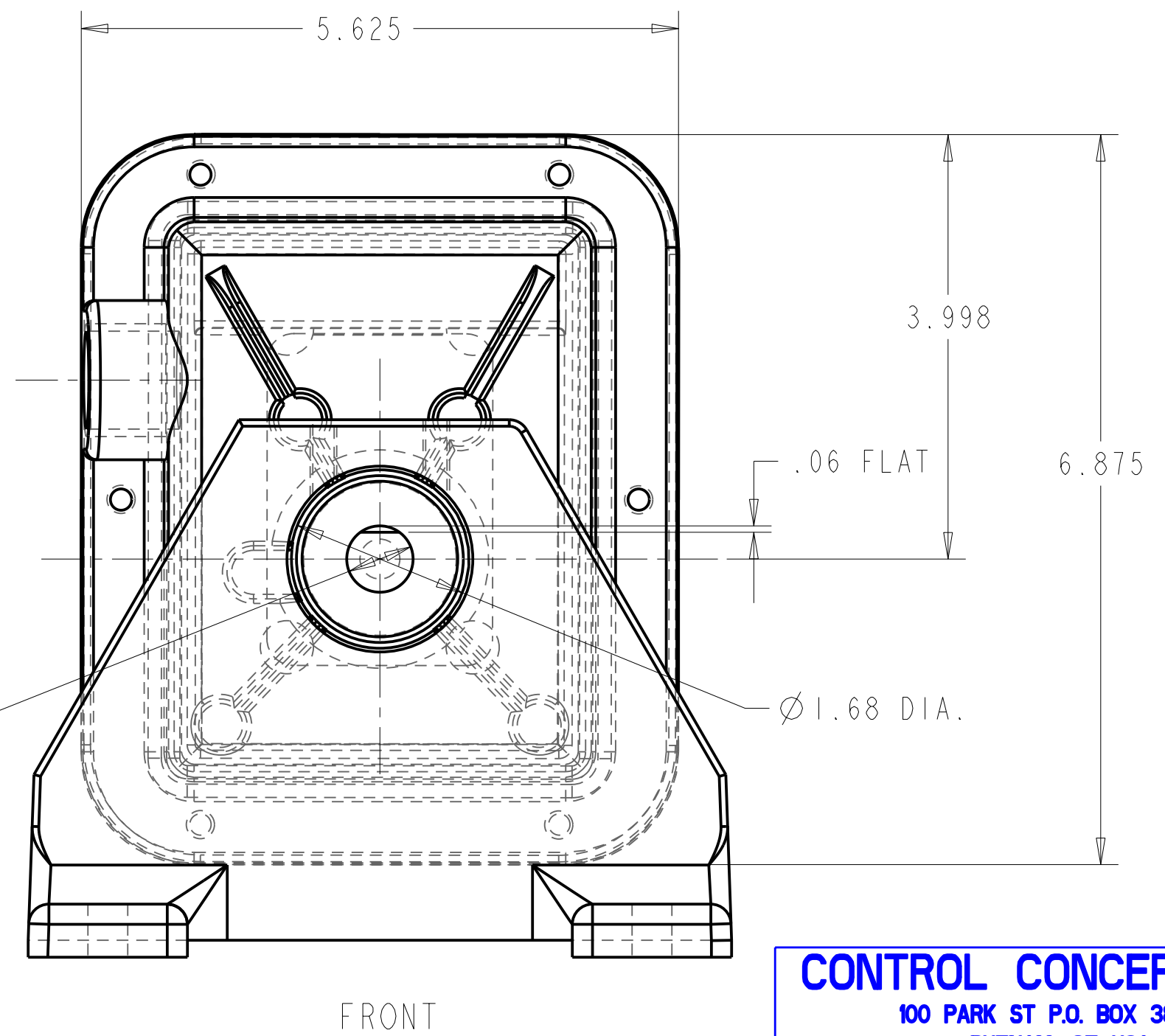
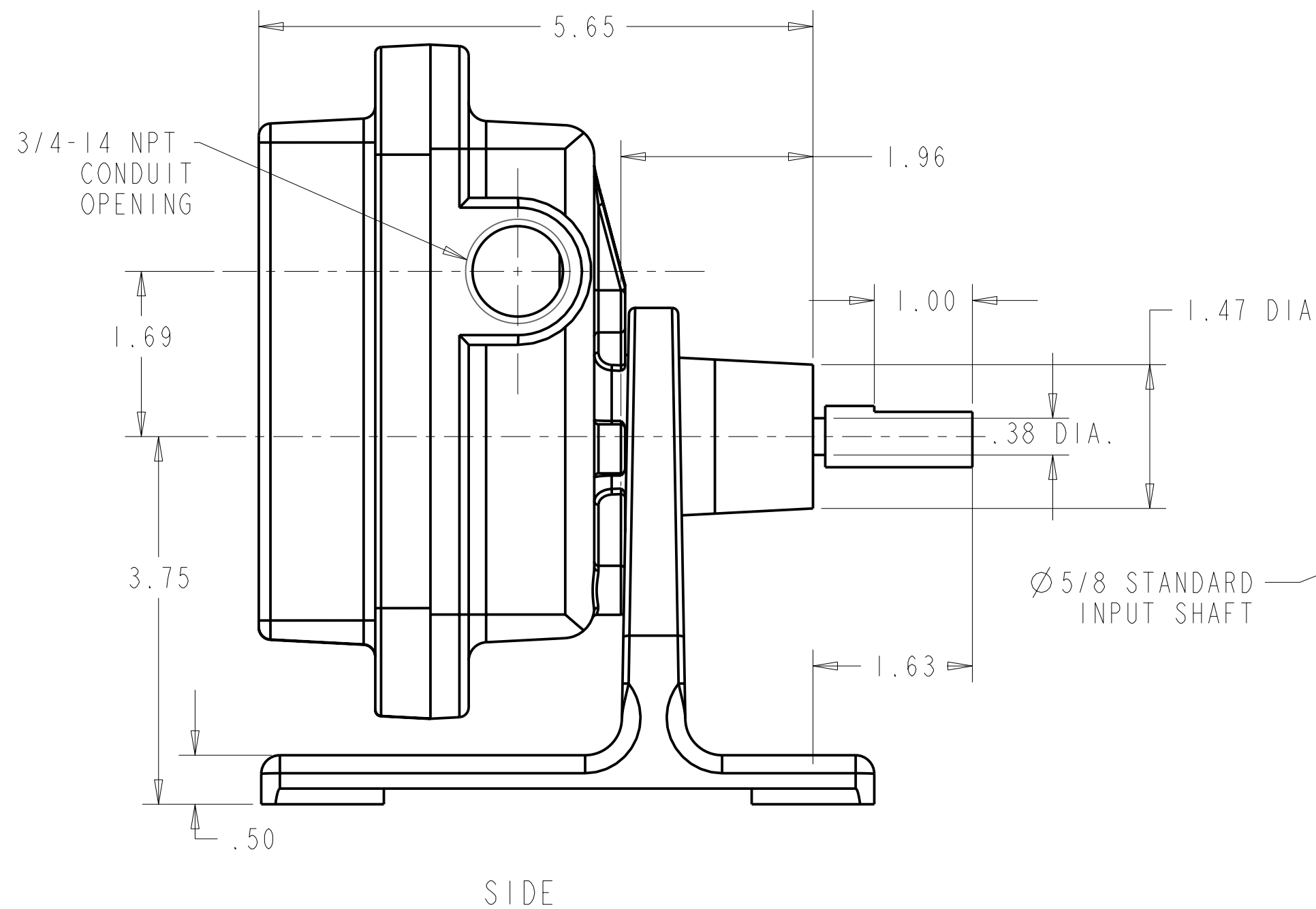
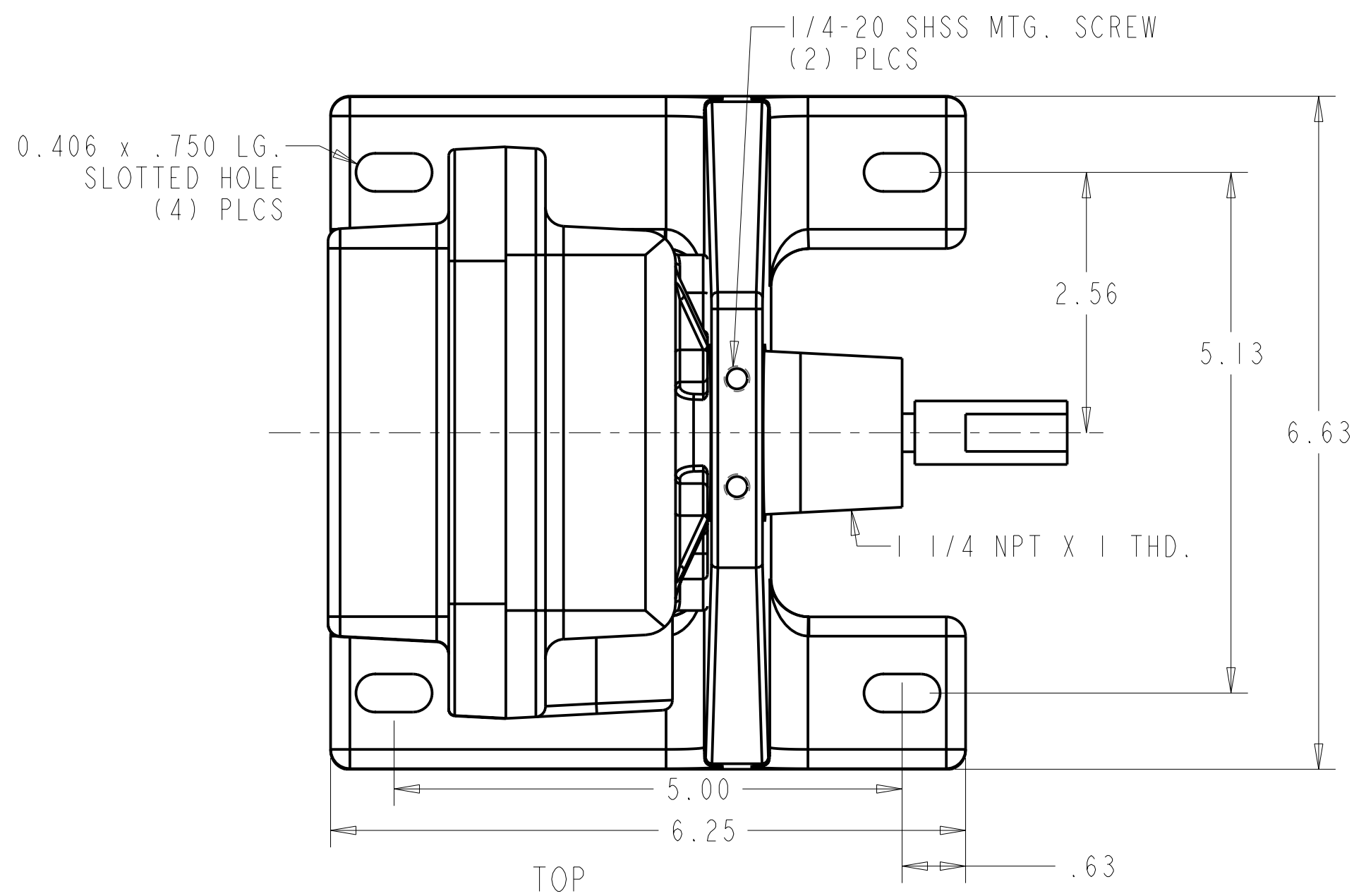


REVISIONS:			
NO	DESCRIPTION	DATE	BY



CONTROL CONCEPTS, INC
 100 PARK ST P.O. BOX 386
 PUTNAM, CT USA

THIS DRAWING AND THE PARTS THEREOF ARE THE PROPERTY OF CONTROL CONCEPTS INC. AND MAY NOT BE REPRODUCED OR USED WITHOUT WRITTEN CONSENT.			
SIZE: DATE:	DESCRIPTION:	SCALE	
C 7/31/02	ROTOGUARD III DIMENTION DRAWING	3/4	
MATERIAL	PART NO.	DRAWING NO:	
		0702-100-0266	

TOLERANCE UNLESS AS NOTED:
 L.X ±0.1
 L.IX ±0.01
 L.IXX ±0.005
 ANG ±.5
 FRACT ±1/16