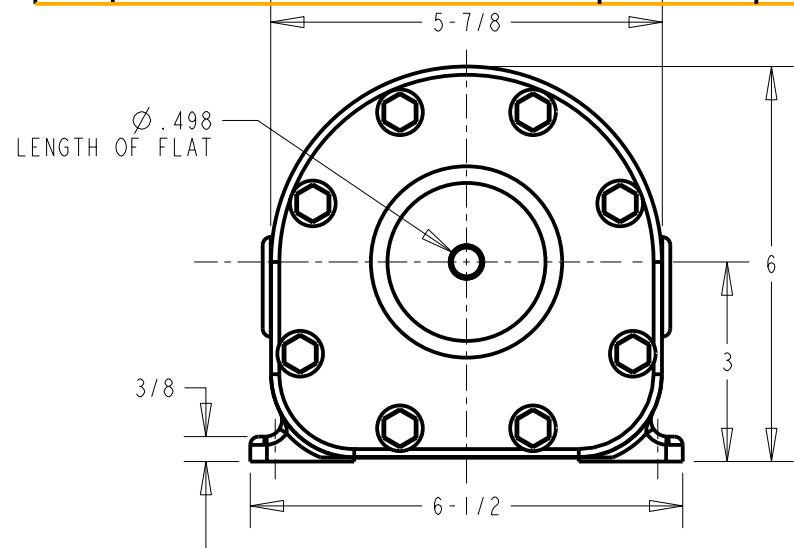
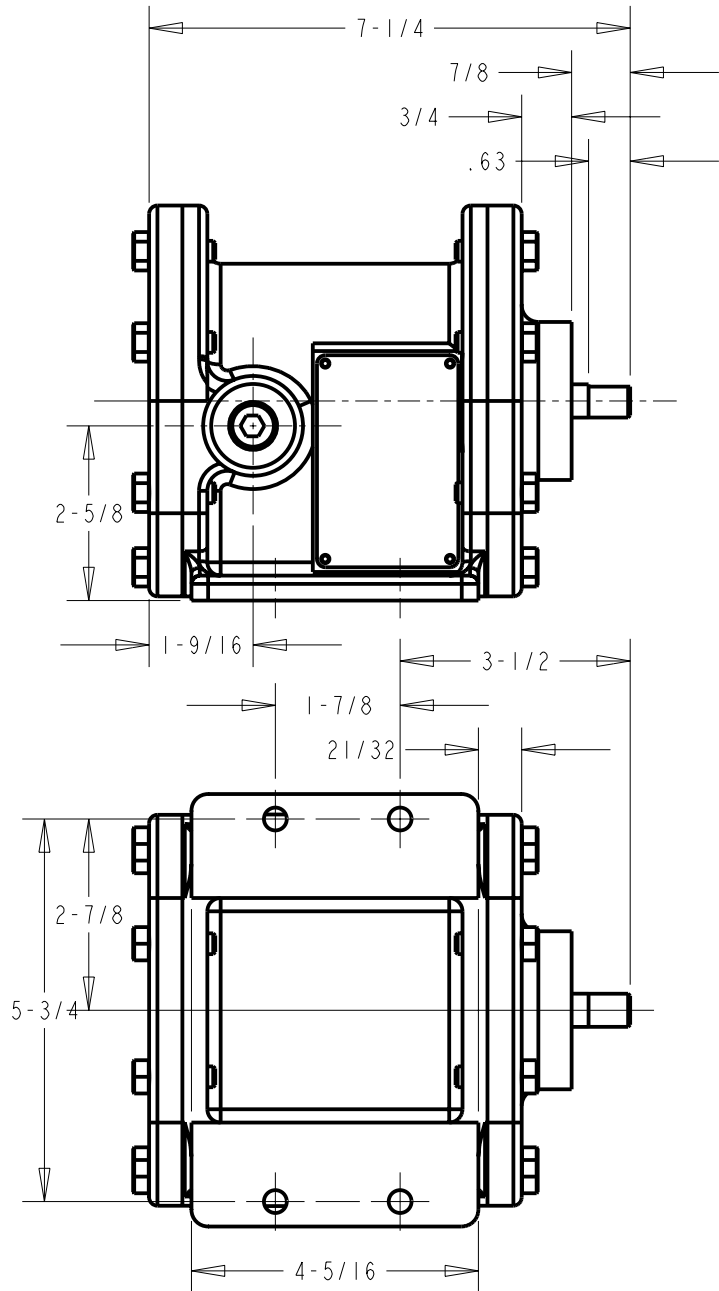


SIGNOFF IN BLUE INK ONLY

REVISIONS

NO.	DESCRIPTION	DATE	BY



ALL DIMENSIONS IN DECIMAL AND FRACTIONAL INCHES

**CONTROL CONCEPTS, INC**

100 PARK ST, BOX 386  
PUTNAM, CT, USA

THIS DRAWING AND THE PARTS THEREOF ARE THE PROPERTY OF CONTROL CONCEPTS INC. AND MAY NOT BE REPRODUCED OR USED WITHOUT WRITTEN CONSENT!

TOLERANCE UNLESS AS NOTED:  
 X.X ±0.1  
 X.XX ±0.01  
 X.XXX ±0.005  
 ANG: ±0.5  
 FRAC: ± 1/XX

SIZE <b>A</b>	DATE 3/21/05	DESCRIPTION EP-1 SPEED SWITCH	SCALE 3/8
MATERIAL	PART NO.	DRAWING NO. 0305-100-0318	